

ASSEMBLING INSTRUCTION

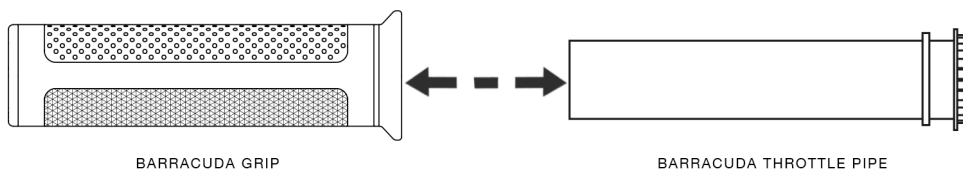
GRIPS ORIGINAL THROTTLE PIPE FITTING

WWW.BARRACUDAMOTO.COM

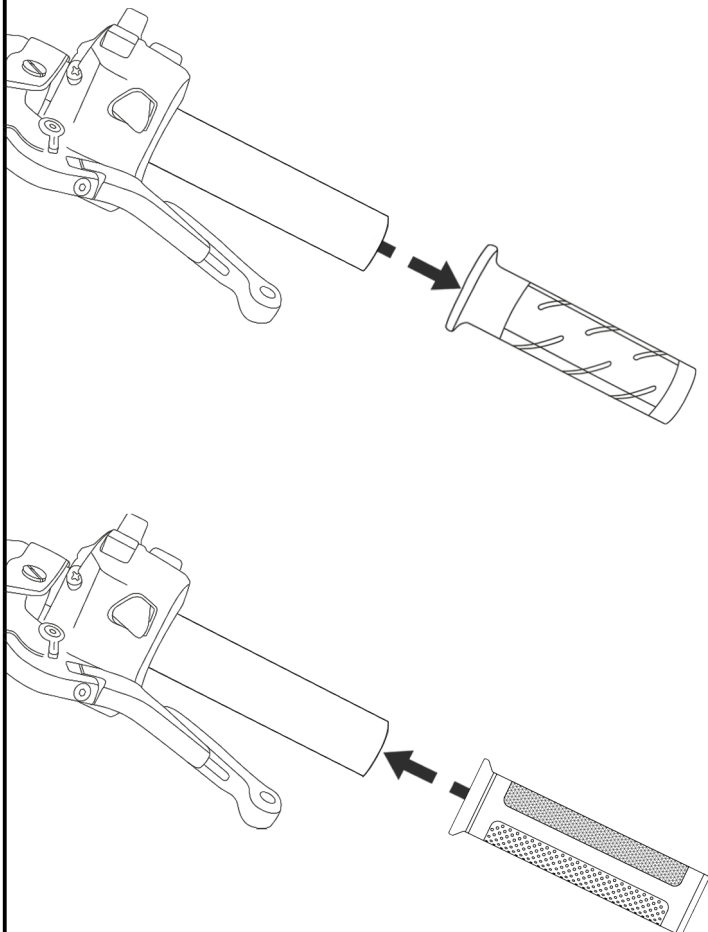
KIT

- 0. ORIGINAL COMPONENT
COMPONENTE ORIGINALE
COMPONENTE ORIGINAL
ORIGINAL KOMPONENTE
COMPOSANT D'ORIGINE
- 1. THROTTLE PIPE
TIRAGAS
TIRAGAS
ZIEHT GAS
TIRAGE ACCÉLÉRATEUR
- 2. GRIPS
MANOPOLE
PUÑOS
GRIFFE
POIGNEES
- 3. THROTTLE ADAPTER
ADATTATORE ACCELERATORE
ADAPTADOR DEL ACELERADOR
BESCHLEUNIGERADAPTER
EXPANSEUR EN GOMME

REMOVE THE THROTTLE PIPE FROM BARRACUDA GRIPS



LEFT SIDE



RIGHT SIDE

