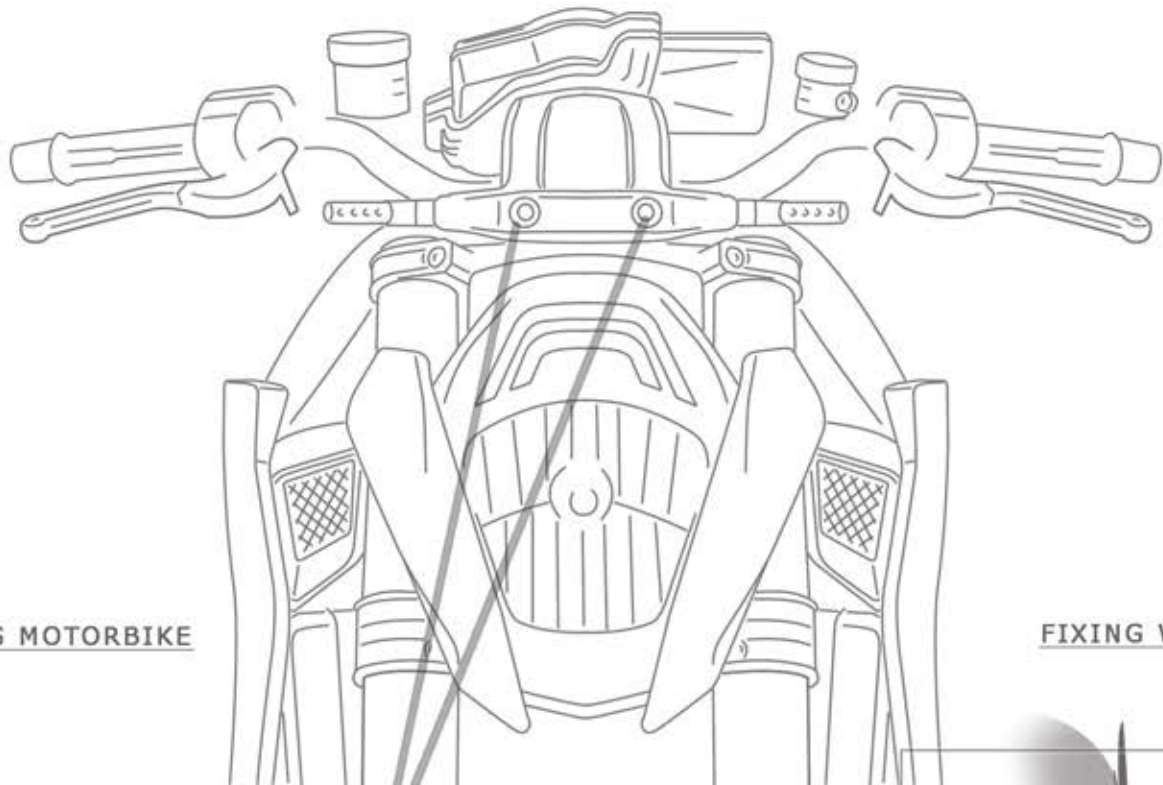
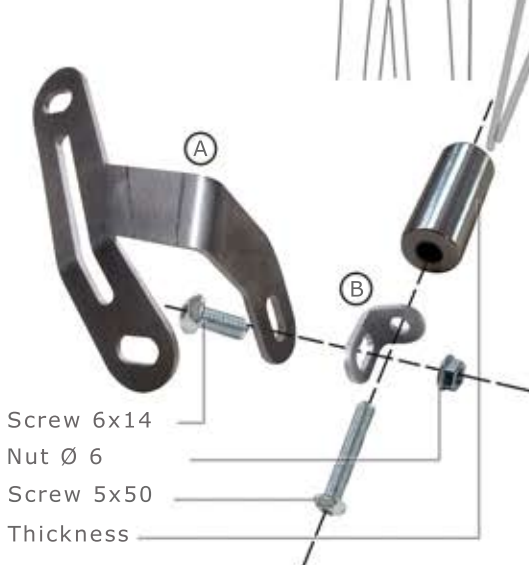
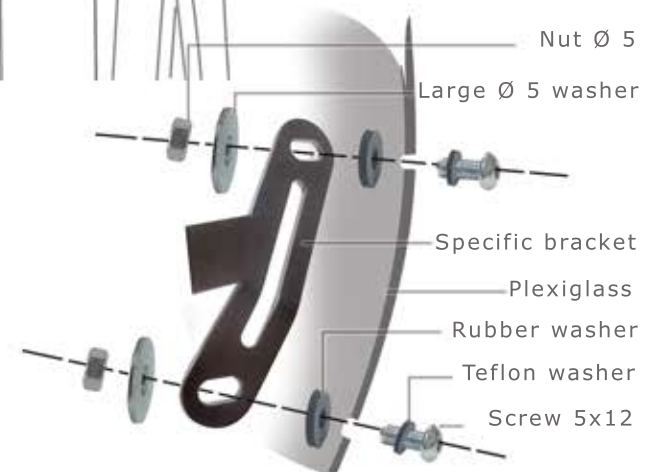


MOUNTING PROCEDURE**KIT WINDSHIELD
KTM SUPERDUKE 1290****KTM1300**WWW.BARRACUDAMOTO.COM**FIXING PROCEDURE:**

- REMOVE THE ORIGINAL SCREWS HIGHLIGHTED FROM THE FRONT COVER;
- APPROACH THE TWO SPECIFIC BRACKETS (A-B) AND THE RELATIVE THICKNESS LIKE THE SCHEME;
- FIND THE RIGHT POSITION OF WINDSHIELD ON THE ALREADY FIXED BRACKETS AND LOCK ALL THE SCREWS;

KIT

- X1. PLEXIGLASS
- X4. SPECIFIC BRACKET
- X2. THICKNESS
- X2. NUT Ø 6
- X4. NUT Ø 5 AUTOLOCKED
- X4. SCREW "ROUND HEAD" 5X12
- X2. SCREW "ROUND HEAD" 5X50
- X2. SCREW "ROUND HEAD" 6X14
- X2. WASHER Ø 6 LARGE
- X4. WASHER Ø 5 LARGE
- X4. TEFLON WASHER Ø 5
- X4. RUBBER WASHER

**FIXING MOTORBIKE****FIXING WINDSHIELD**

NOTE: DON'T LOCK TOO MUCH TO AVOID PLEXIGLASS BROKEN.